

RC100 REPEATER CONTROLLER

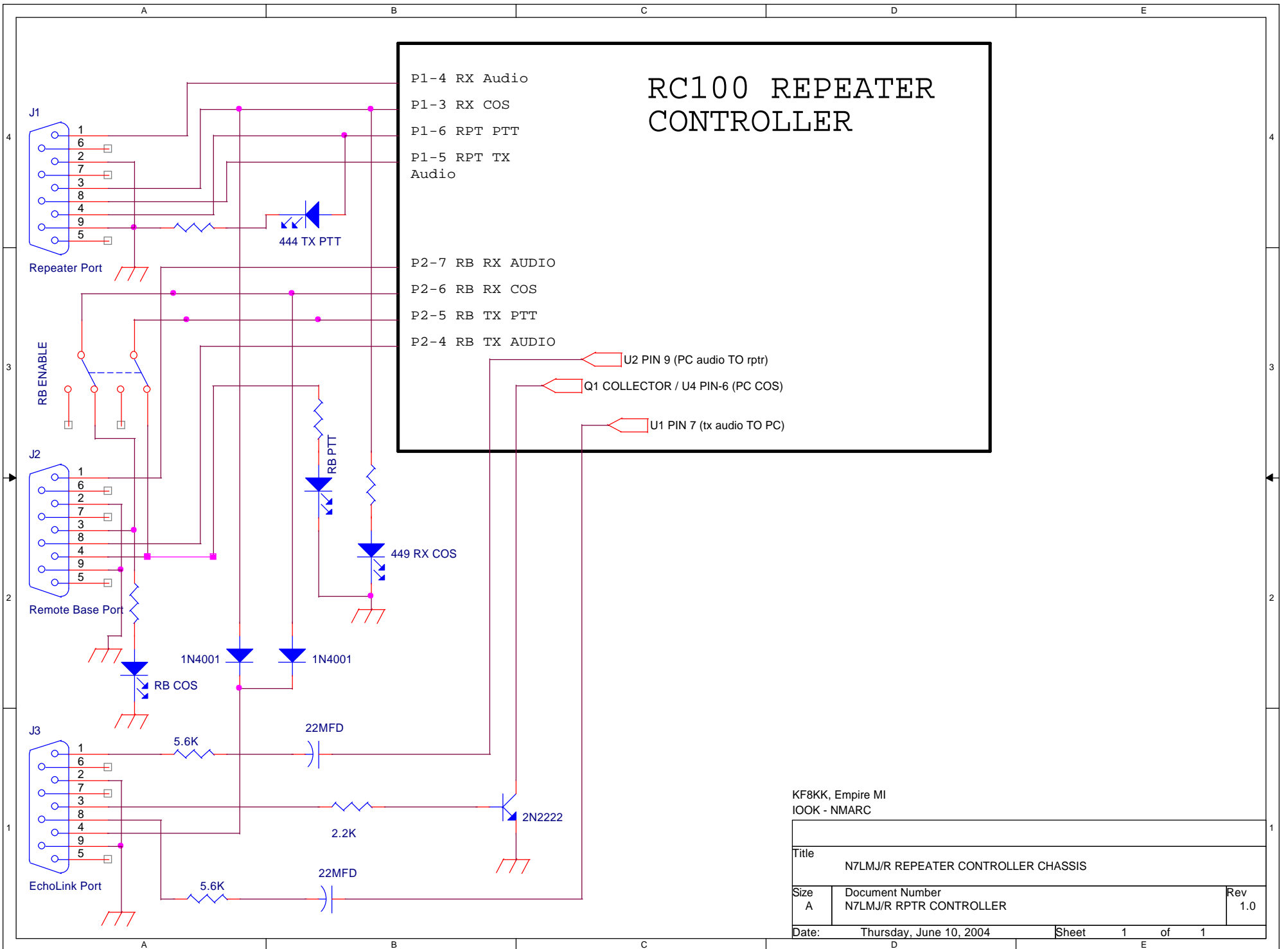
P1-4 RX Audio
 P1-3 RX COS
 P1-6 RPT PTT
 P1-5 RPT TX Audio

P2-7 RB RX AUDIO
 P2-6 RB RX COS
 P2-5 RB TX PTT
 P2-4 RB TX AUDIO

U2 PIN 9 (PC audio TO rpt)

Q1 COLLECTOR / U4 PIN-6 (PC COS)

U1 PIN 7 (tx audio TO PC)



KF8KK, Empire MI
 IOOK - NMARC

Title		
N7LMJ/R REPEATER CONTROLLER CHASSIS		
Size	Document Number	Rev
A	N7LMJ/R RPTR CONTROLLER	1.0
Date:	Thursday, June 10, 2004	Sheet 1 of 1